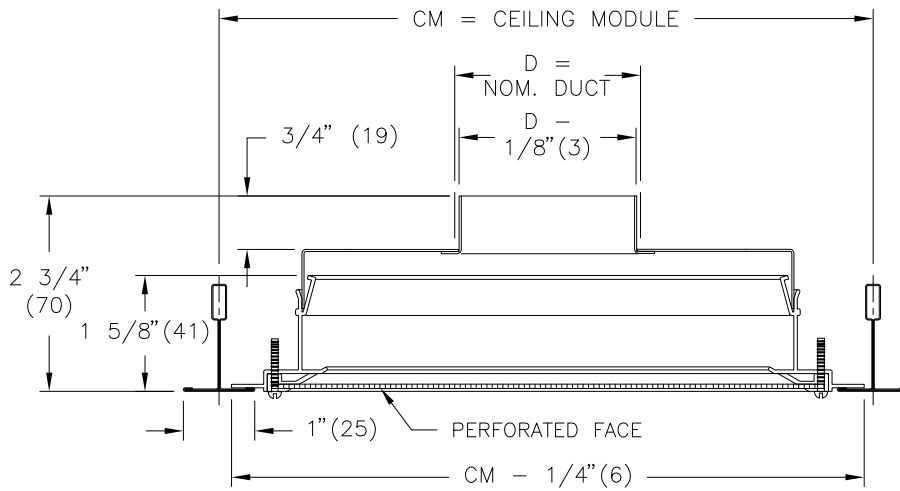
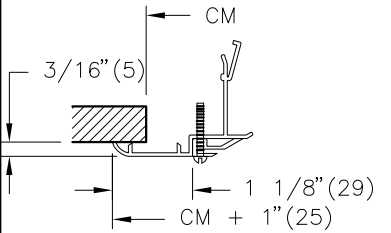


PDR MRI PERFORATED RETURN DIFFUSER

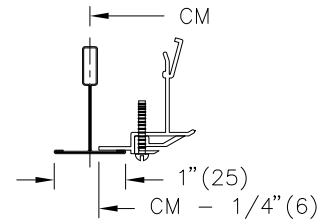


FRAMES:

1 SURFACE MOUNT



3 T-BAR



		D SQUARE DUCT											D ROUND DUCT							
		6x6 (152x152)	8x8 (203x203)	10x10 (254x254)	12x12 (305x305)	14x14 (349x349)	18x18 (449x449)	22x22 (549x549)	10x22 (249x549)	10x34 (249x849)	10x46 (249x1149)	22x34 (549x849)	22x46 (549x1149)	5" (127)	6" (152)	7" (178)	8" (203)	10 (254)	12" (305)	14" (356)
IMPERIAL	CEILING MODULE	12x12	●	●	○									●	●	●	●			
	16x16	●	●	●	●	○								●	●	●	●	●	●	
	20x20	●	●	●	●	●	○							●	●	●	●	●	●	●
	24x24	●	●	●	●	●	●	○						●	●	●	●	●	●	●
	12x24	●	●						○					●	●	●	●	●	●	
	12x36	●	●							○				●	●	●	●	●	●	
	12x48	●	●								○			●	●	●	●	●	●	
	24x36	●	●	●	●	●	●					○		●	●	●	●	●	●	●
	24x48	●	●	●	●	●	●						○	●	●	●	●	●	●	●
METRIC	300x300	●	●	○										●	●	●	●			
	400x400	●	●	●	●	○								●	●	●	●	●	●	
	500x500	●	●	●	●	●	○							●	●	●	●	●	●	●
	600x600	●	●	●	●	●	●	○						●	●	●	●	●	●	●
	300x600	●	●						○					●	●	●	●	●	●	
	300x900	●	●							○				●	●	●	●	●	●	
	300x1200	●	●								○			●	●	●	●	●	●	
	600x900	●	●	●	●	●	●					○		●	●	●	●	●	●	●
	600x1200	●	●	●	●	●	●						○	●	●	●	●	●	●	●

SIZES MARKED WITH (O) ARE SUPPLIED WITHOUT PLENUMS.

FINISH:

- B12 WHITE
- B17B12FT WHITE FACE & TRIM WITH BLACK PLENUM (OPTIONAL FINISHES AVAILABLE)

MATERIAL:

- BORDER & MOUNTING FRAME: EXTRUDED ALUMINUM
- PERFORATED FACE & BACK PAN: ALUMINUM

NOTES:

- FACTORY TOLERANCE ± 1/32 (1)

ALL METRIC DIMENSIONS () ARE SOFT CONVERTED. IMPERIAL DIMENSIONS ARE CONVERTED TO METRIC AND ROUNDED TO THE NEAREST MILLIMETER.

PROJECT:

ENGINEER:

CUSTOMER:

SUBMITTAL DATE:

SPEC. SYMBOL:



RV

245330

2011/10/26

PDR MRI
PERFORATED
RETURN DIFFUSER